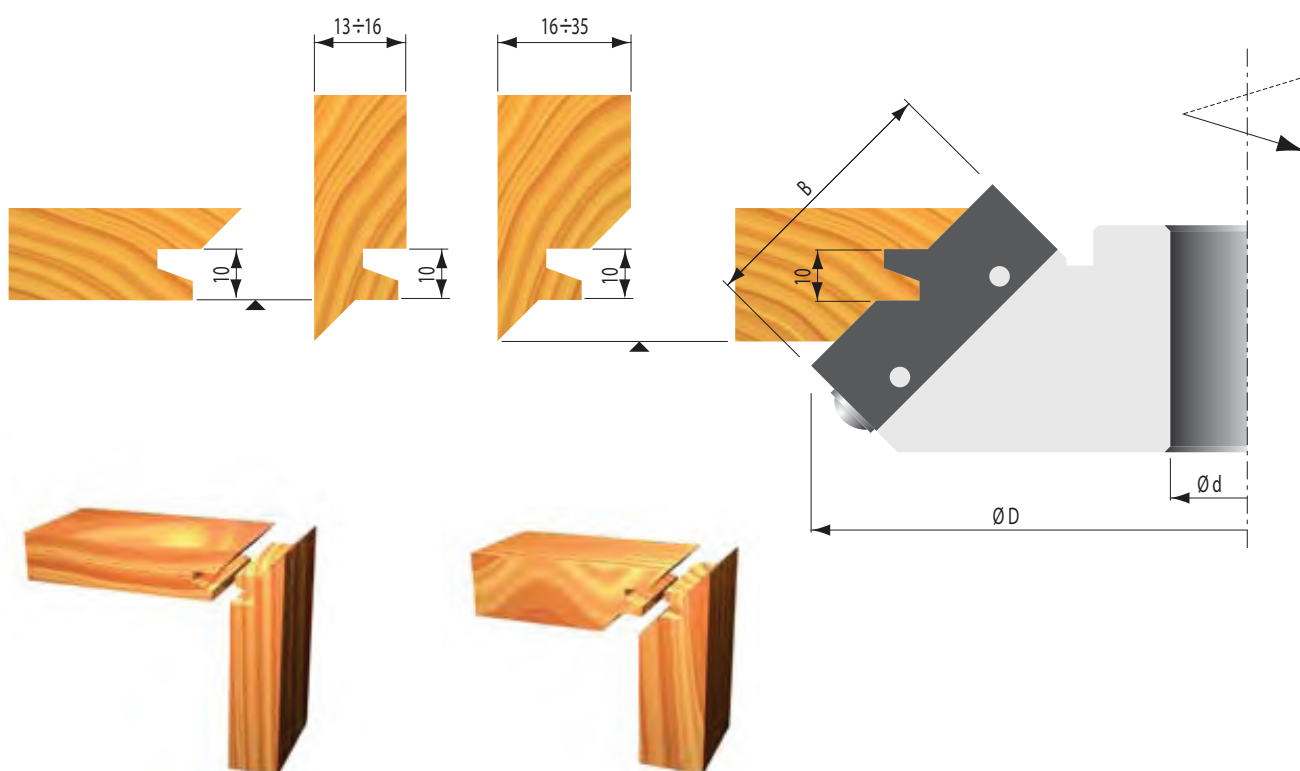




Application

- Cutterhead with HW knives for making 45° joints on wood thicknesses varying from minimum 13mm to a maximum of 35mm.
- The joint is obtained in two steps: first with workpiece in horizontal position and then with workpiece in vertical position.

Part. Nr.	Ø D (mm)	B (mm)	Ø d (mm)	Ø d max (mm)	Z	RPM (min-max)
TH24TM01	170	50	30	40	2	4500 - 7800



Spare Parts TH24TM01



Part. Nr.	Dimensions	Nr.
602082	50X25X2	2
350009	46	2
502402	M7x21	10

